

GAS LEAKAGE DETECTOR

GAS SHUT-OFF DEVICE WITH GAS LEAKAGE DETECTOR(15A, 20A, 25A)

■ AUTO SHUT-OFF VALVE ■ MODEL : SHT-820A

FEATURES

- Functions of long-range opening/closing and automatic shut-off during gas leakage.
- The controller confirms the status of opening/closing.
- The quick shut-off function prevents accidents in advance.
- The monitoring unit can be additionally extended from basic two lines (Option).
- Minimize the exterior size and consumption electric power.
- SHT-820A can be applied to automatic control motor valve systems in every plant, and heating and cooling facilities.



SHT-820



SHT-ASV(P)



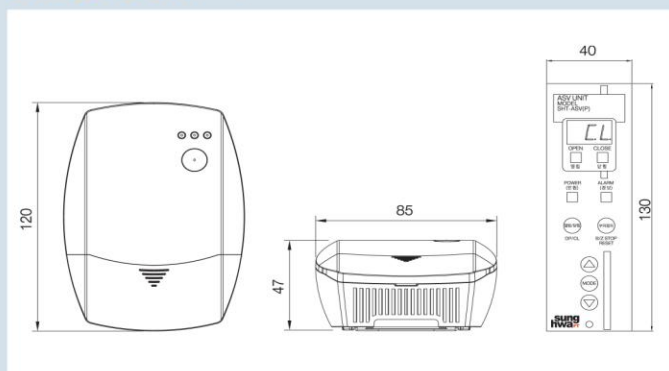
SPECIFICATION CONTROLLER

- | **Model No.** | SHT-820A(2Channels as basic), Wall-mounted type
- | **Model No.** | SHT-ASV(P)(SHT-970 panel insertion type)
- | **Type** | Gas leakage shut-off device with gas leakage detector
- | **Operating power** | 110~220V.AC, 50/60Hz
- | **Consumption electric power** | During normal operation(0.5W) / During an alarm(2W)
- | **Control Type** | Time control type(30sec)
- | **Receive Type** | Voltage memory type
- | **Alarm Input** | 1, 2Channel
- | **Alarm Type** | Buzzer alarm type
- | **Output Signal** | 12V.DC
- | **Display Type** | (LED) Opened: Green, Close: Yellow, Alarm: Red
- | **Open/Close Type** | Automatically closed during manually open/close or alarm input
- | **Operating Temp /Humi** | -40°C~+70°C/ Less than 95%
- | **Power Input Cable** | 110~220V.AC - 2wire
- | **Detector Input Cable** | 2wire - AC type single detector or detachable detector
3wire - DC type single detector
- | **Shut-off Device Output** | 2wire(Red+, Black-)
- | **Weight** | 0.15Kgs

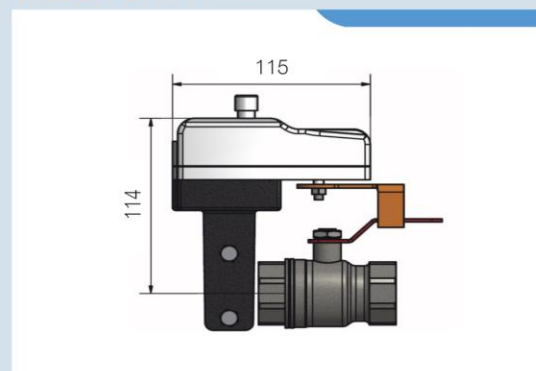
SPECIFICATION SHUT-OFF DEVICE

- | **Model No.** | SHT-815A, 820A, 825A
- | **Operating power** | 12V.DC
- | **Gas pipe size** | 15A, 20A, 25A
- | **Shut-off Time** | Less than 15sec
- | **Open/Close Angle** | 90°(Limit switch type)
- | **Body material** | PC/ABS ejection
- | **Gear material** | Poly Acetyl Copolymer
- | **Use Valve** | Ball valve
- | **Operating Type** | Handle operation method
- | **Installation Type** | Cable bolt tightening type
- | **Operating Temp /Humi** | -40°C~+70°C/ Less than 95%
- | **Cable** | CVW or VCTF 1.5sq × 2wire
- | **Weight** | 0.35Kgs

DIMENSION (mm)



DIMENSION (mm)



GAS DETECTOR

AC Single Type DC Single Type

TMETCO.VN

- | **Model** | SHT-201 (AC Type), SHT-202 (DC Type)
- | **Type** | 12V.DC, Single type, Waterproof, Diffusion type, Catalytic combustion cell type, Immediately Alarm type
- | **Measuring gases** | LNG, LPG
- | **Operating power** | 220/110V.AC (AC Type), 12V.DC (DC Type)
- | **Measuring range** | 0~100% (LEL)
- | **Alarm setting** | 20% (LEL)
- | **Alarm density** | LNG (0.06~1.25%) / LPG (0.06~0.45%)
- | **Alarm method** | Buzzer sound - Automatic reset, Alarm of flickering/Leakage LED - Yellow flickering
- | **Cable color** | 12V.DC (White-plus), 0V (Black-minus) - AC Type
12V.DC (Red-plus), 0V (Black-minus), 12V.DC (White-Signal) - DC Type
- | **Signal output** | 12V.DC (White-plus, Black-minus)
- | **Alarm display** | Power (LED green-on), Alarm (LED yellow flickering)
- | **Power consumption** | Normal (2W) / Alarm (2.1W)
- | **Safety** | Over current off, Overheating prevent logic
- | **Alarm sound** | Over 70dB
- | **Fuse** | 0.3A (300mA)
- | **Usable area** | 17m²
- | **Alarm density point** | LEL (%) below (1/4)
- | **Operating Temp'/Humi'** | -20°C~+40°C / below 85%RH
- | **Applications Use** | Apartment, Office building, Multi-family homes, Condominiums, Home automation facilities, etc.
- | **Weight** | 0.15Kgs



DIMENSION (mm)

